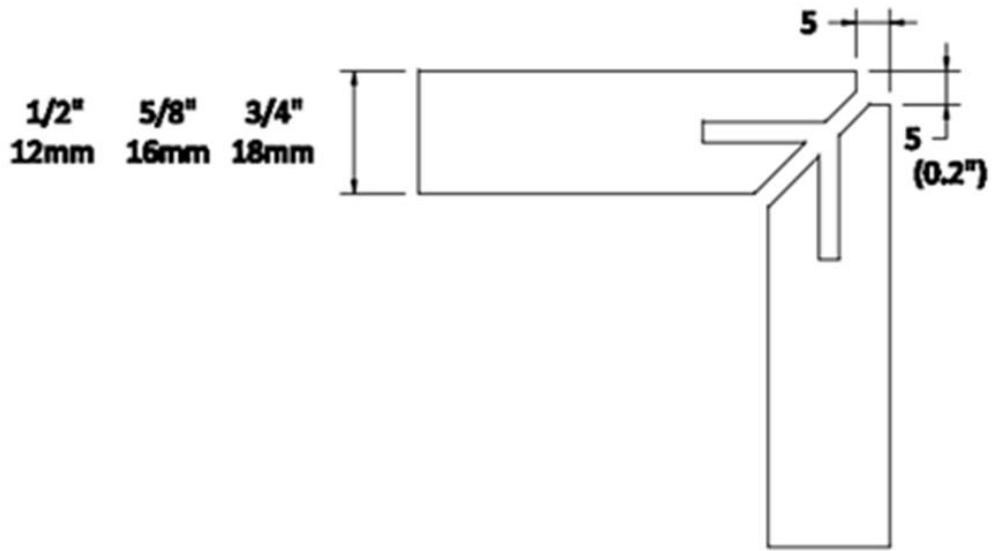


### Cut panel 5mm (0.2") Shorter than overall Length



### Cut extrusion 32mm (1.26") Shorter than panel.

